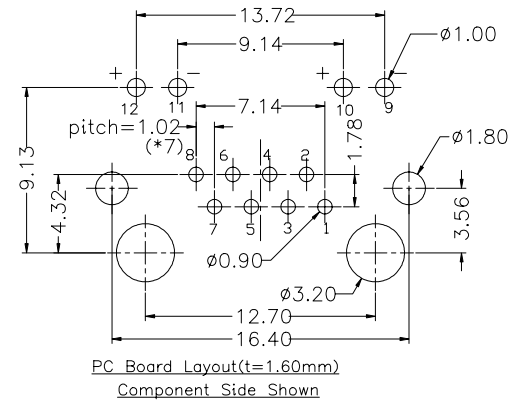
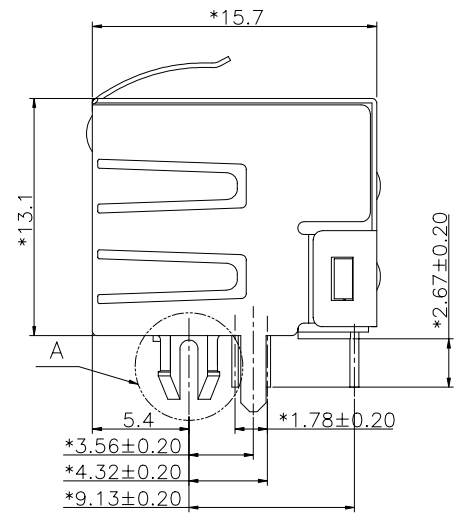
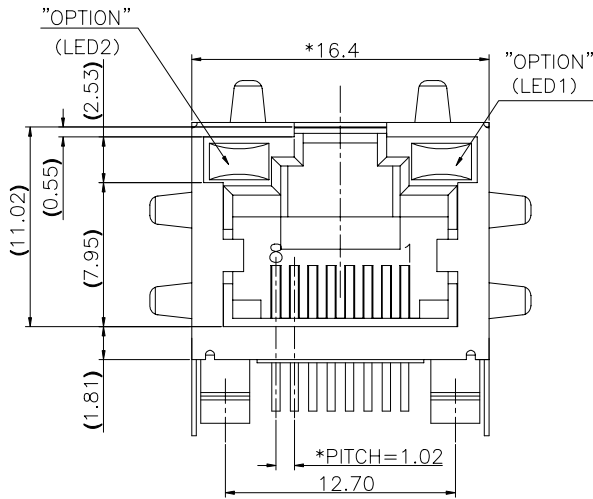


REVISION RECORD				
REV	ECO	DESCRIPTION	DRFT	CHKD
△		ADD P/N		YANGLAN 08/12/05'
△		ADD P/N		YUKI 08/9/06'



NOTES:

ELECTRICAL:

- VOLTAGE RATING : 125 VAC RMS.
- CURRENT RATING : 1.5 AMP.
- CONTACT RESISTANCE : 30 MILLIOHMS MAX.
- INSULATION RESISTANCE: 1000 MEGOHMS MIN @ 500 VDC.
- DIELECTRIC STRENGTH : 1000 VAC RMS 60Hz, 1MIN.
- LED RATINGS: FORWARD VOLTAGE: 2.2 VOLTS TYPICAL.
REVERSE VOLTAGE: 5 VOLTS MINIMUM.
- OPERATING: 750 CYCLES MIN.

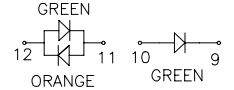
MECHANICAL:

- HOUSING MATERIAL : NYLON+30%.G.F UL94-0 COLOR-BLACK.
- INSERT MATERIAL : NYLON+30%.G.F UL94-0 COLOR-BLACK.
- BACK PLATE MATERIAL : NYLON+30%.G.F COLOR-BLACK.
- LED SIZE : 3.2*2.0*7.0*P=2.54mm.
- SHIELD MATERIAL : GOLD PLATING OVER NICKEL.
- CONTACT MATERIAL : COPPER ALLOY 0.25mm THICKNESS PLATING NI.
- PLATING : PHOSPHOR BRONZE 0.35mm THICKNESS OR Ø0.46.
- PCB RETENTION PRE-SOLDER : 1 LB MIN.
- PCB RETENTION POST-SOLDER: 10 LBS MIN.

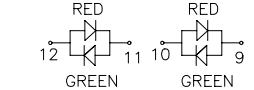
ENVIRONMENTAL:

- STORAGE : -40°C TO +85°C.
 - OPERATION: -40°C TO +85°C.
 - WAVE SOLDERING TEMPERATURE: 255~265° C(5~10 SECONDS)
 - RoHS COMPLIANT.
- MATES WITH MODULAR PLUG CONFORMING TO FCC PART 68, SUBPART F.
CUL FILE No:E163191

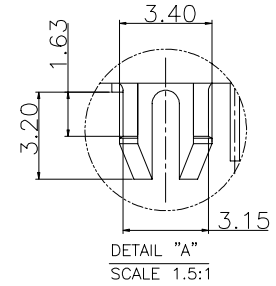
PART NUMBER: E 5J 8 8 - X X L J X X-L



△ FOR P/N: E5J88-1DLJXX-L



△ FOR P/N: E5J88-W4LJXX-L



- △ 1D-LED1:GREEN LED2:G+O TOP TABS
 - T6-LED1:GREEN LED2:ORANG TOP TABS&SIDE TABS
 - △ W4-LED1&LED2 RED&GREEN TOP&SIDE TABS
- PLATING: 1-3u" 2-6u" 3-15u" 4-30u" 5-50u"
- Plate Tin shield stamp pin, led long 7.0mm
 - Plate Ni shield stamp pin, led long 7.0mm
 - Plate Tin shield round pin, led long 7.0mm
 - Plate Ni shield round pin, led long 7.0mm

		RoHS Compliant	
FULL RISE ELECTRONIC CO., LTD			
TITLE RJ45 SIDE ENTRY LED JACK			
DRAWING NO. GE5J3204-LC		SIZE REV A3 2	
/PART NO. SEE NOTE		DO NOT SCALE DRAWING	
SHEET 1 OF 1		SCALE : 4:1	